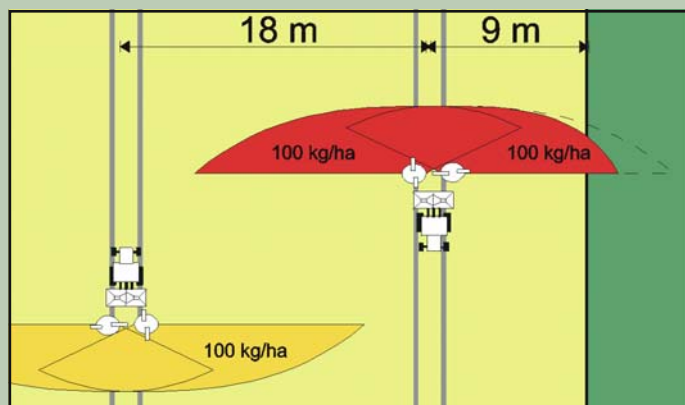




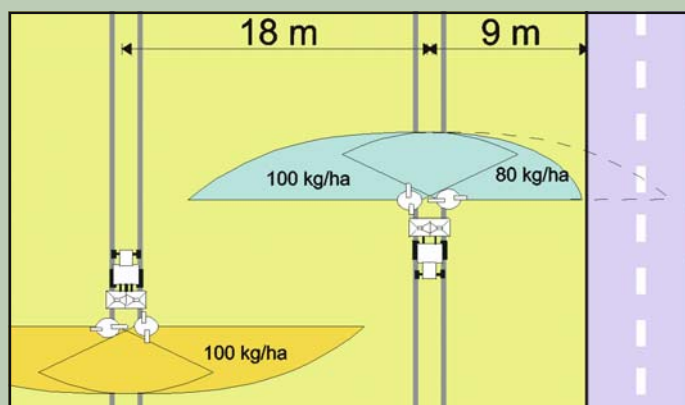
Active protection for the environment – border spreading systems

Economical, and in particular, extremely ecologically sensitive mineral fertilising requires responsible minded actions. According to new environmental directives, environmentally harmless fertilisation on the field edge is not possible without modern border spreading systems.

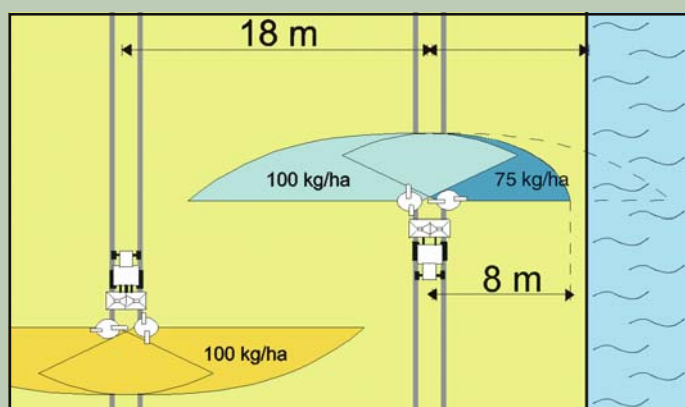
Side, boundary and water course spreading



Side spreading (yield oriented setting). The neighbouring field is an area that is used agriculturally. In this case it is tolerable for a small quantity of fertiliser to be thrown over the border of the field. The fertiliser distribution inside the field boundary is still 100% of the desired application rate at the edge of the field.



Boundary spreading (environmentally oriented setting). If the field is adjacent to a road or cycle path, no fertiliser must be thrown beyond the border of the field. The spread rate must be reduced at the border side so that no over-fertilisation occurs within the boundary of the field. A small amount of under-fertilisation occurs before the edge of the field. The border spreading procedure complies with the fertiliser decree requirements.

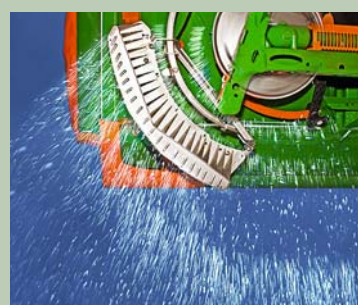


Water course spreading (environmentally oriented setting). If there is surface water at the edge of the field, a distance of one meter must be maintained using a border spreading device according to the fertiliser ordinance, and even three metres without a border spreading device. In order to prevent over-fertilisation inside the field, the spread rate must be reduced at the boundary side.



Tele-Set disc

You can change over from normal spreading to side, boundary or water course spreading by means of a tool-less disc change.



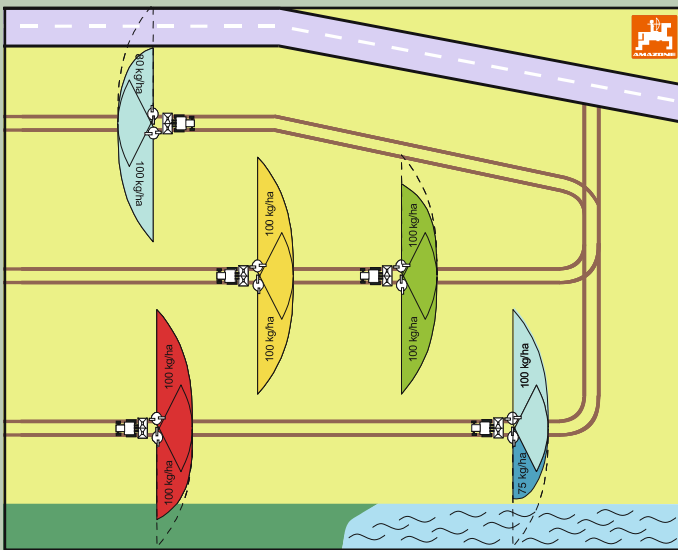
The **Limiter** is operated hydraulically from the tractor seat and is swivelled down into the spread fan. This can be done without stopping the PTO.



from AMAZONE

All of the requirements of the current fertiliser ordinance can be perfectly met with AMAZONE boundary spreading equipment.

Side, boundary and wedge-shaped spreading with the hydraulically driven ZA-M Profis Hydro and ZA-M Ultra Profis Hydro



Hydraulic drive of the spreading system in combination with AMATRON+ offers every possibility e.g.:

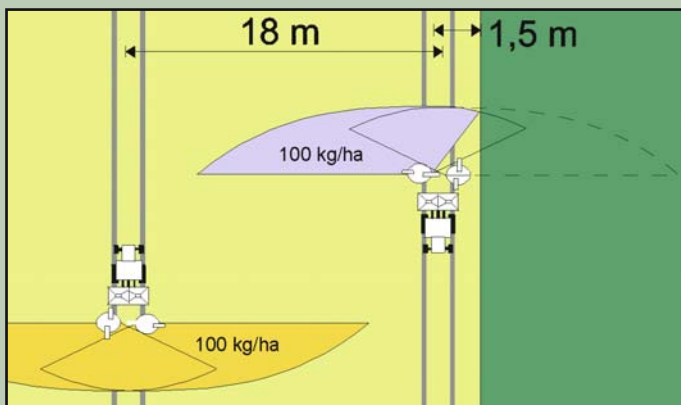


- Side and boundary spreading on both sides in accordance with the individual preselection of disc speed and spread rate
- 6-section part width shut off with automatic spread rate adjustment
- All procedures can be readjusted as required whilst working
- Use of GPS-Switch with automated, position-accurate shut-off

Wedge-shaped spreading provides even, non-overlapping spreading in short work. By reducing the throwing width and reducing the flow rate at the same time the actual spread rate (in kg/ha) remains constant over the entire area.



Side spreading – first tramline at the field edge



If the **first tramline is at the edge of the field**, side spreading (yield-oriented adjustment) is achieved by shutting off one side of the spread fan. Only a little fertiliser goes beyond the boundary of the field, and optimum fertilisation takes place within the boundary.



The one-sided, manually folded spread deflector is a low-cost solution for carrying out boundary spreading on the left side in the direction of travel.

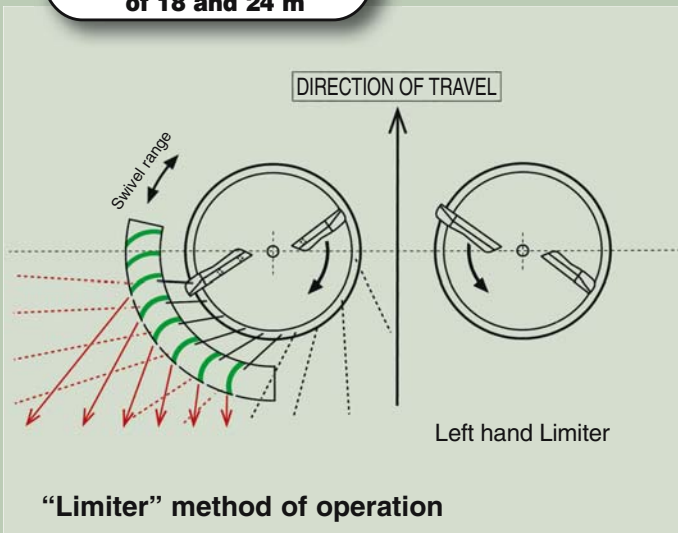
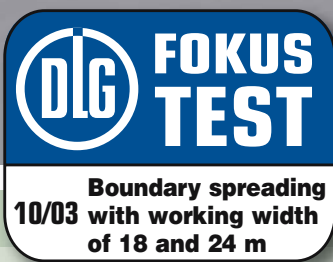
Convenient border spreading without stopping and dismounting with the AMAZONE Limiter

Perfect boundary and side spreading

The Limiter is a modern boundary spreading system that is used if the first tramline is half the working width of the fertiliser spreader in from the edge of the field. It is used for side, boundary and water course spreading.

The decisive advantage with the Limiter is that there is no need to stop, interrupt the spreading operation or dismount from the tractor.

With AMADOS+ and AMATRON+, the quantity is automatically reduced on that side during boundary and water course spreading when the Limiter is swivelled down.



AMAZONE Limiter, right or left hand

With the ZA-M there is a choice: Limiter to the right or left hand side.

Modern tractors have most of the controls on the right next to the driver's seat. In this case, border spreading is convenient and comfortable using the new right Limiter.

The all-stainless steel Limiter is simply folded down into the spread fan. The lamella block then produces a direction change for part of the flow of fertiliser. An optimum spreading pattern is formed up to the border.

The Limiter can be moved on a fixed frame within a generously dimensioned swivel range. This sets the Limiter to the required position for side, boundary or water course spreading, depending on the type of fertiliser. Exact details of this can be found in the setting chart and on a sticker on the machine. If the Limiter is not being used, it is conveniently swivelled up via a hydraulic cylinder.

